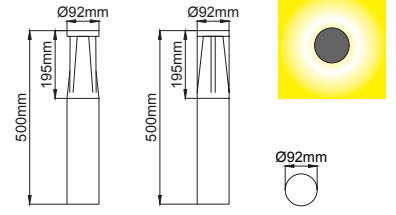


## Solo / O07.BL.08970



Power / Güç	CRI	Order Code / Sipariş Kodu	Kelvin	Lümen T <sub>c</sub> =50° Lümen
9W	CRI>80	O07.BL.08970 . (...) . (...) . (...) . (...)	2700K	760
			3000K	776
			3500K	792
			4000K	808
			5000K	824
			6500K	X



\* Code example / Kod örneği:

O07.BL.08970 . 9 . 827 . 01

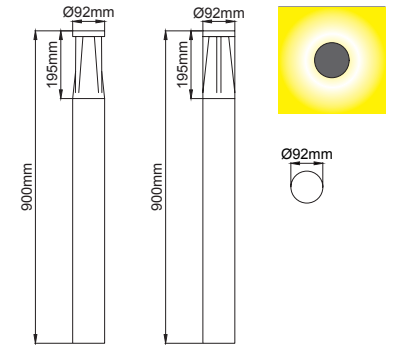
1                      2                      3                      4

- 1- Product code / Armatür kodu
- 2- Power / Güç
- 3- CRI / Kelvin
- 4- Colour / Ürün renk

## Solo / O07.BL.08975



Power / Güç	CRI	Order Code / Sipariş Kodu	Kelvin	Lümen T <sub>c</sub> =50° Lümen
9W	CRI>80	O07.BL.08975 . (...) . (...) . (...) . (...)	2700K	760
			3000K	776
			3500K	792
			4000K	808
			5000K	824
			6500K	X



\* Code example / Kod örneği:

O07.BL.08975 . 9 . 827 . 01

1                      2                      3                      4

- 1- Product code / Armatür kodu
- 2- Power / Güç
- 3- CRI / Kelvin
- 4- Colour / Ürün renk

	2	3	4																		
	Watt - Driving Current / Watt - Sürüş Akımı	CRI / Kelvin	Product Color / Ürün Renk																		
(...) / Complete Code / Komple Kod	9 9W	827 CRI>80 - 2700K	<table border="0"> <tr> <td><input type="checkbox"/></td> <td>01</td> <td>white</td> </tr> <tr> <td><input type="checkbox"/></td> <td>02</td> <td>ral 9010</td> </tr> <tr> <td><input checked="" type="checkbox"/></td> <td>03</td> <td>black</td> </tr> <tr> <td><input type="checkbox"/></td> <td>04</td> <td>gray</td> </tr> <tr> <td><input type="checkbox"/></td> <td>05</td> <td>dark gray</td> </tr> <tr> <td><input type="checkbox"/></td> <td>06</td> <td>special color</td> </tr> </table>	<input type="checkbox"/>	01	white	<input type="checkbox"/>	02	ral 9010	<input checked="" type="checkbox"/>	03	black	<input type="checkbox"/>	04	gray	<input type="checkbox"/>	05	dark gray	<input type="checkbox"/>	06	special color
		<input type="checkbox"/>		01	white																
		<input type="checkbox"/>		02	ral 9010																
		<input checked="" type="checkbox"/>		03	black																
		<input type="checkbox"/>		04	gray																
		<input type="checkbox"/>		05	dark gray																
<input type="checkbox"/>	06	special color																			
830 CRI>80 - 3000K																					
835 CRI>80 - 3500K																					
840 CRI>80 - 4000K																					
850 CRI>80 - 5000K																					