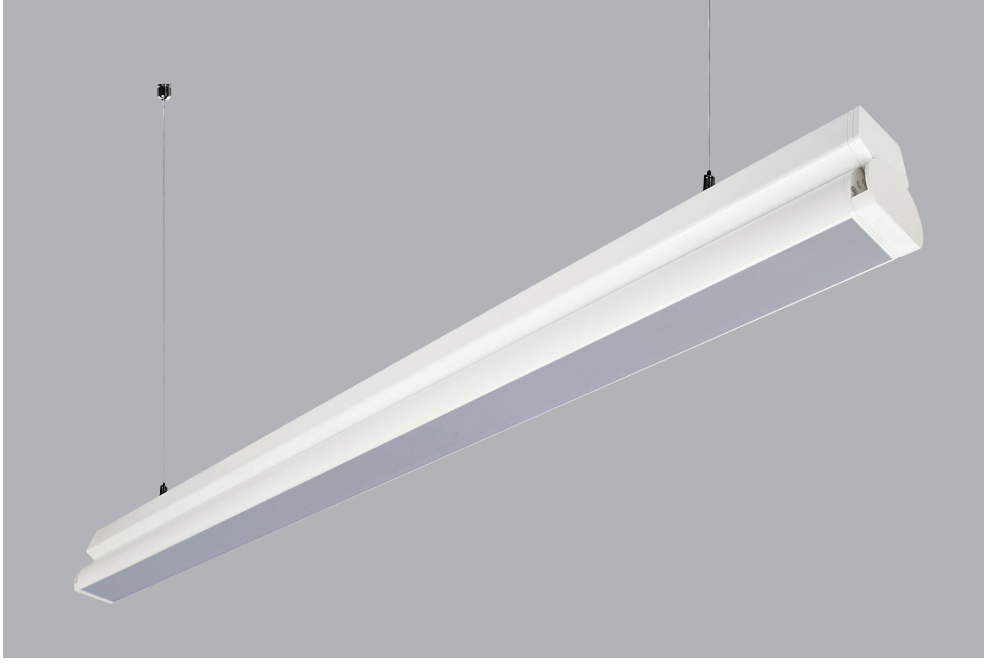


# Rood



\* Code example / Kod örneği:

102.LL.19210.1180.035.830.01

- 1- Product code / Armatür kodu
- 2- Length / Uzunluk
- 3- Power / Güç
- 4- CRI / Kelvin
- 5- Colour / Ürün renk
- 6- Control type / Kontrol tipi

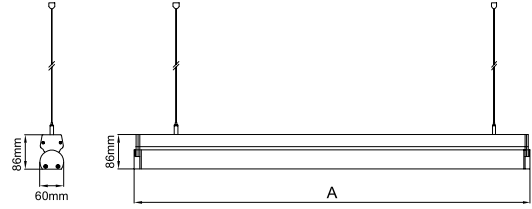
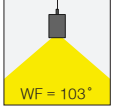


## 5 / Product Color / Ürün Renk



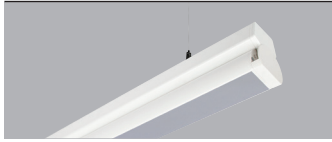
## Technical Drawing / Teknik Çizim

## Beam Angle / Işık Açısı



Product Data / Armatür Data	
Item No / Ürün Kod	102.LL.19210.1180.035.830.01
Family Name / Aile Adı	Rood
Material / Malzeme	Aluminium Profile / Alüminyum Profil
Form / Biçim	Linear Movable / Lineer Hareketli
Profile Width / Profil Geniřlięi	60mm
Profile Height / Profil Yükseklięi	86mm
Installation Type / Kurulum Türü	Suspendant, Surface Mounted and Track Mounted / Sarkıt, Sıvaüstü ve Raya Monteli
Efficiency / Verimlilik	>76lm/W
CRI	80
Light Distribution / Işık Dağılımı	Symmetric Wide Flood / Simetrik Geniş Açılı
Protection Rating / Koruma Sınıfı	20
Lifetime / Armatür Ömrü	L70 / B50 50000 h
Optic / Optik	Opal Diffuser / Opal Pleksi
Alternative Diffuser UGR<19	Microprismatic / Mikroprizmatik

## Rood Suspendant / I02.LL.19210



\* Code example / Kod örneği:

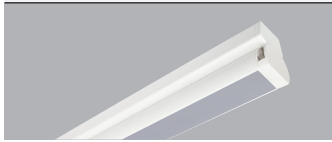
I02.LL.19210 . 1180 . 035 . 830 . 01  
1 2 3 4 5

Suspension Wire  
Sarkıtma Teli



Lenght / Uzunluk (A)	CRI	Order Code / Sipariş Kodu	Kelvin	900mm 28W 350mA lm	1180mm 35W 350mA lm	1460mm 43W 350mA lm
900mm - 28W 1180mm - 35W 1460mm - 43W	CRI>80	I02.LL.19210 . (...) . (...) . (...)	2700K	1910	2457	3103
			3000K	1971	2535	3202
			3500K	2001	2574	3252
			4000K	2078	2673	3376
			5000K	2108	2712	3425
	CRI>90	I02.LL.19210 . (...) . (...) . (...)	2700K	1604	2068	2606
			3000K	1650	2122	2681
			3500K	1680	2162	2730
			4000K	1741	2240	2830

## Rood Surface Mounted / I02.LL.19220



\* Code example / Kod örneği:

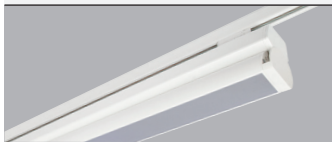
I02.LL.19220 . 1180 . 035 . 830 . 01  
1 2 3 4 5

Wadge  
Takoz



Lenght / Uzunluk (A)	CRI	Order Code / Sipariş Kodu	Kelvin	900mm 28W 350mA lm	1180mm 35W 350mA lm	1460mm 43W 350mA lm
900mm - 28W 1180mm - 35W 1460mm - 43W	CRI>80	I02.LL.19220 . (...) . (...) . (...)	2700K	1910	2457	3103
			3000K	1971	2535	3202
			3500K	2001	2574	3252
			4000K	2078	2673	3376
			5000K	2108	2712	3425
	CRI>90	I02.LL.19220 . (...) . (...) . (...)	2700K	1604	2068	2606
			3000K	1650	2122	2681
			3500K	1680	2162	2730
			4000K	1741	2240	2830

## Rood Track Mounted / I02.LL.19230



\* Code example / Kod örneği:

I02.LL.19230 . 1180 . 035 . 830 . 01  
1 2 3 4 5

Track Adaptor  
Ray Soketi



Lenght / Uzunluk (A)	CRI	Order Code / Sipariş Kodu	Kelvin	900mm 28W 350mA lm	1180mm 35W 350mA lm	1460mm 43W 350mA lm
900mm - 28W 1180mm - 35W 1460mm - 43W	CRI>80	I02.LL.19230 . (...) . (...) . (...)	2700K	1910	2457	3103
			3000K	1971	2535	3202
			3500K	2001	2574	3252
			4000K	2078	2673	3376
			5000K	2108	2712	3425
	CRI>90	I02.LL.19230 . (...) . (...) . (...)	2700K	1604	2068	2606
			3000K	1650	2122	2681
			3500K	1680	2162	2730
			4000K	1741	2240	2830

2	Lenght / Uzunluk (A)	3	Watt - Driving Current / Watt - Sürüş Akımı	4		5	Product Color / Ürün Renk				
				CRI / Kelvin							
	900mm	28W	28W (Direct) - 350mA	827	CRI>80 - 2700K	927	CRI>90 - 2700K	01	white		
				830	CRI>80 - 3000K			930	CRI>90 - 3000K	02	ral 9010
	1180mm	35W	35W (Direct) - 350mA	835	CRI>80 - 3500K	935	CRI>90 - 3500K	03	black		
				840	CRI>80 - 4000K			940	CRI>90 - 4000K	04	gray
				850	CRI>80 - 5000K					05	dark gray
1460mm	43W	43W (Direct) - 350mA					06	special color			